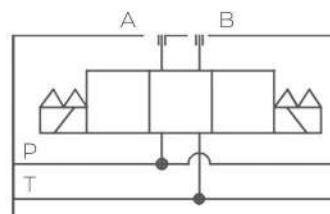


MSD SERIES

MODULAR SOLENOID DIRECTIONAL

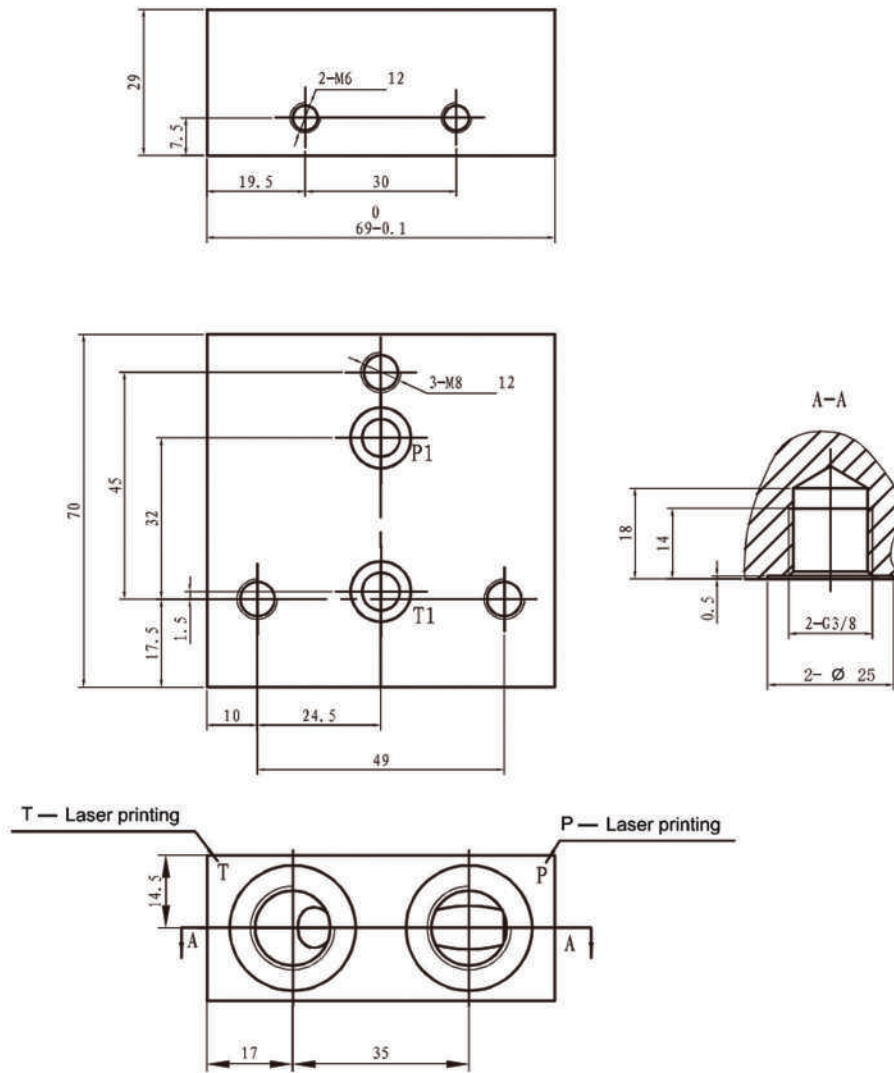
MSD26



TECHNICAL DATA

Size	6
Flow (L/min)	40
Max operating pressure (Bar)	816
Valve body	casting

INSTALLATION DIMENSIONS



ORDERING DETAILS

